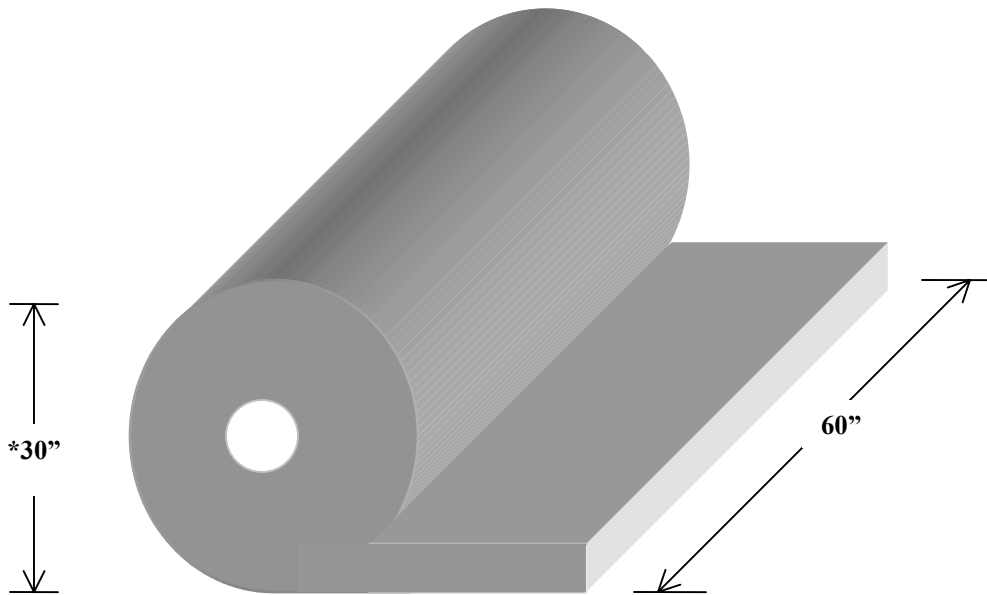


Rubber Walk and Roll Specifications



***Note: Roll does not exceed 30"
in height when fully rolled.**

Size	5'x20'x1 ½"
Colors	Red, Green, or Black
Weight	300 lbs
Testing	CRI TM-101 "Creating Surface Appearance Change by Foot Traffic" Score: 4 – 5 Slight to No Change
Water Permeability	Allows water to drain at a rate of over 32 ounces of water every three minutes